

VF00, VF10, VF20 IMMERSION TEMPERATURE SENSORS

PRODUCT DATA



FEATURES

- Pt 1000, NTC 10k, or NTC 20k temperature sensing element
- Wide sensing range
- High accuracy
- Choice of three different probe lengths: 65, 150, and 300 mm
- Models available with either IP54 or IP65 rating
- Bayonet ¼ turn cover screws for fast installation
- External mounting holes, no need to remove cover

SPECIFICATION

Nominal value

Pt 1000	1000 Ω at 0 °C (32 °F)
NTC 10k	10 kΩ at 25 °C (77 °F)
NTC 20k	20 kΩ at 25 °C (77 °F)

Accuracy

Pt 1000 (IEC751 Class B)	±0.3 K at 0 °C (32 °F)
NTC 10k, NTC 20k	±0.2 K at 25 °C (77 °F)

Sensitivity

Pt 1000	≈ 3.85 Ω / K
NTC 10k	-440 Ω / K at 25 °C (non-linear)
NTC 20k	≈ -934.5 Ω / K at 25 °C (non-linear)

Time constant

< 30 s (using brass / stainless steel immersion well)

Electrical connection

VF00/VF10/VF20	terminals for 2 x 1.5 mm ² cable
Cable gland	M16x1.5, UL 94-V2

Ambient limits (housing)

Storage temperature	-30...+70 °C (-22...+158 °F)
Humidity	5...95% rh, non-condensing

Safety (terminal box)

Protection standard	IP54 IP65
---------------------	--------------

Flame retardant

UL94-V0 rated plastic enclosure
T_{max} = 120 °C (enclosure)

Dimensions

See section "Dimensions" on pg. 3.

GENERAL

These immersion temperature sensors can be employed for hot and cold water installations in the following control systems:

- EAGLE
- LION
- TIGER
- PANTHER
- Excel 5000, Excel 500, and Excel 800
- Excel Web and Excel Web II
- Honeywell I/O modules
- LYNX, SERVAL, Excel 10, and Excel 12

or other systems using Pt 1000, NTC 10k, or NTC 20k temperature sensing elements.

The sensors with a stainless steel immersion well are also suitable for registering potable water temperature.

Models

OS-no.	length mm (inch) L _{PROBE}	IP rating	sensor type	sensing temperature limits (probe)	immersion well (included)
VF00-1B54	150 (5.91)	IP54	Pt 1000	-40...+150 °C	WB150
VF00-1B65	150 (5.91)	IP65	Pt 1000	-40...+150 °C	WB150
VF00-1B54NW	150 (5.91)	IP54	Pt 1000	-40...+150 °C	--
VF00-3B54NW	300 (11.81)	IP54	Pt 1000	-40...+150 °C	--
VF10-1B54T	150 (5.91)	IP54	NTC 10k	-40...+150 °C	WB150
VF20-3B54	300 (11.81)	IP54	NTC 20k	-40...+150 °C	WB300
VF20-3B54S	300 (11.81)	IP54	NTC 20k	-40...+150 °C	WS300
VF20-1B54S	150 (5.91)	IP54	NTC 20k	-40...+150 °C	WS150
VF20-1B65	150 (5.91)	IP65	NTC 20k	-40...+150 °C	WS150
VF20-1B65S	150 (5.91)	IP65	NTC 20k	-40...+150 °C	WS150
VF20-1B54	150 (5.91)	IP54	NTC 20k	-40...+150 °C	WB150
VF20-5B54	65 (2.56)	IP54	NTC 20k	-40...+150 °C	WB50

Immersion Well

OS-no.	material	length mm (inch) L _{WELL}	connection	P _{max}	max. flow rate
WS50	stainless steel	50 (1.97)	R1/2" / ISO, PN25	25 bar	30 m/s
WB50	brass	50 (1.97)		13 bar	26 m/s
WS150	stainless steel	135 (5.31)		25 bar	7.5 m/s
WB150	brass	135 (5.31)		13 bar	5 m/s
WS300	stainless steel	285 (11.22)		25 bar	2 m/s
WB300	brass	285 (11.22)		13 bar	1.2 m/s

DIMENSIONS

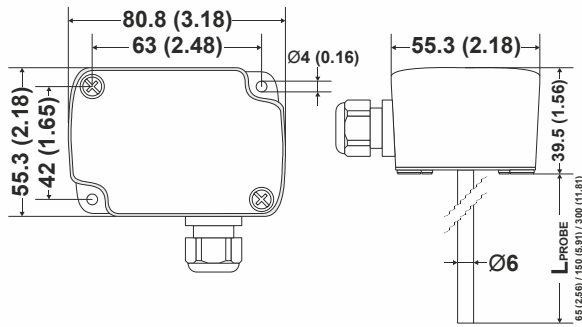


Fig. 1. Immersion temperature sensor, dimensions in mm (inches)

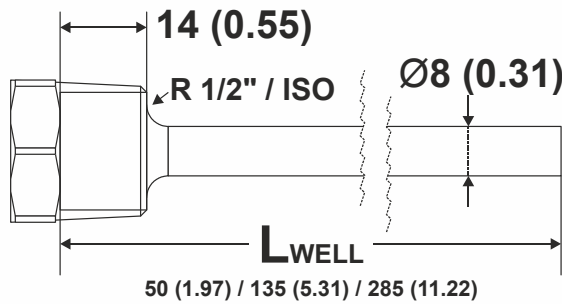


Fig. 2. Immersion well, dimensions in mm (inches)

ELECTRICAL CONNECTION

The wiring of the temperature sensor must be in accordance with the overall wiring circuit diagram.

The terminals are not polarized. Thus, connecting the wires in reverse will not result in any malfunction.

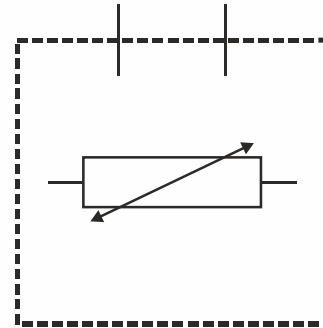


Fig. 3. VF00, VF10, VF20 wiring

INSTALLATION

wiring run	max. length
Sensor to controller	200 m (660 ft)

Offset due to wire resistance per 10 m of distance from sensor to controller, when using the VF00 (Pt 1000):

type of wire	temperature offset Pt 1000
0.5 mm ² (AWG20)	0.18 °C (0.324 °F)
1.0 mm ² (AWG17)	0.09 °C (0.162 °F)
1.5 mm ² (AWG15)	0.06 °C (0.108 °F)

NOTE: Use shielded wiring in areas with high EMI. Keep 15 cm (5.9") minimum distance between sensor lines and 230 Vac power lines.

Honeywell

Manufactured for and on behalf of the Environmental and Combustion Controls Division of Honeywell Technologies Sàrl, Rolle, Z.A. La Pièce 16, Switzerland by its Authorized Representative:

Automation and Control Solutions

Honeywell GmbH
 Böblinger Strasse 17
 71101 Schönaich, Germany
 Phone +49 (0) 7031 637 01
 Fax +49 (0) 7031 637 740
<http://ecc.emea.honeywell.com>